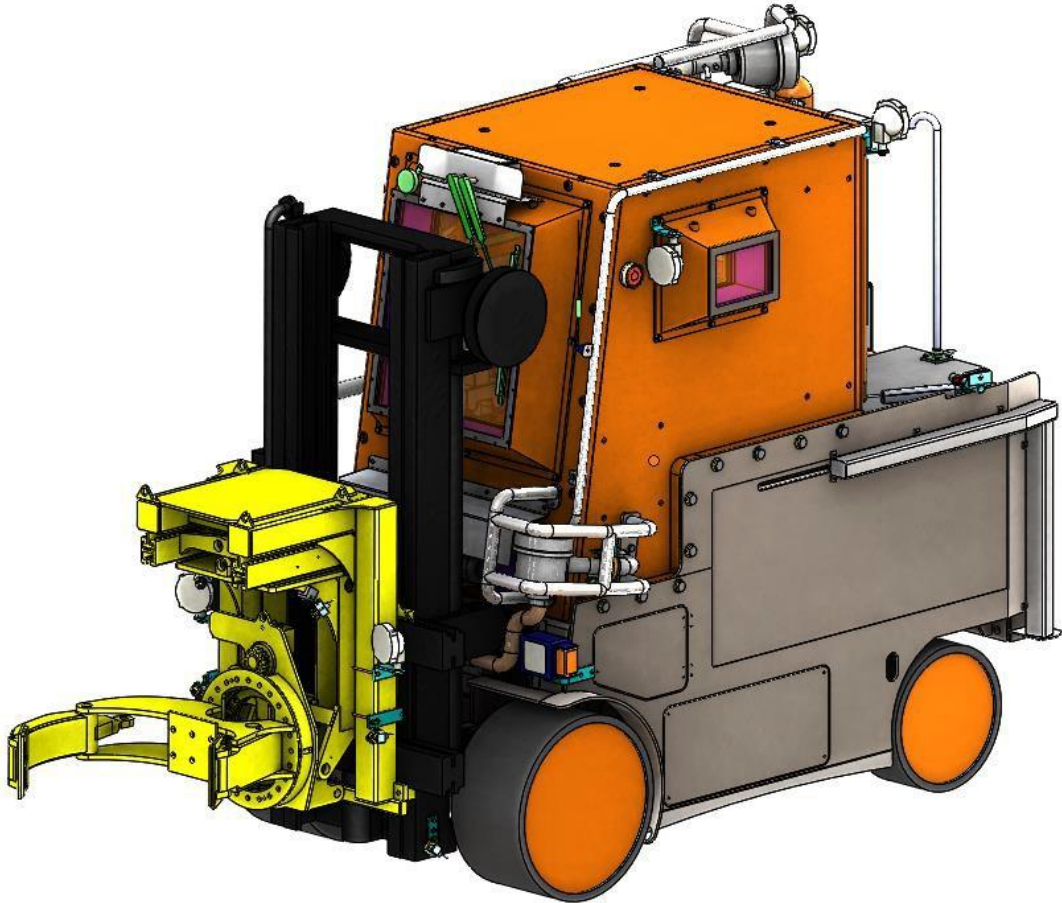




EFINOR

MANNED SHIELDED FORKLIFT CASE STUDY



E ENGINEERING

E MANUFACTURING

E SUPPORT

As an industrial innovator for over 30 years, EFINOR is able to develop and provide bespoke solutions in order to solve the most critical challenges.

One of our trusted clients, the **CEA** (Commissariat à l'Énergie Atomique et Aux Énergies renouvelables), asked us to develop a special shielded forklift to allow its workers to enter and transport heavy loads in radioactive areas. The **Manned Shielded Forklift** designed by EFINOR fulfills this requirement.

Through a collaborative working, we developed a product able to meet our clients requirements in terms of technical capabilities, Nuclear Safety and critical Health & Safety needs.

This electrical powered forklift is designed to carry heavy drums while offering safety and ease of use. Critical bespoke equipment developed were shielding, ventilation systems, cabin pressurisation, cabin layout, electrical systems, IT&Comms, 3 screens video system, water glycol mix hydraulic system, fire detection and fighting systems.

TRANSFORMING MATTER

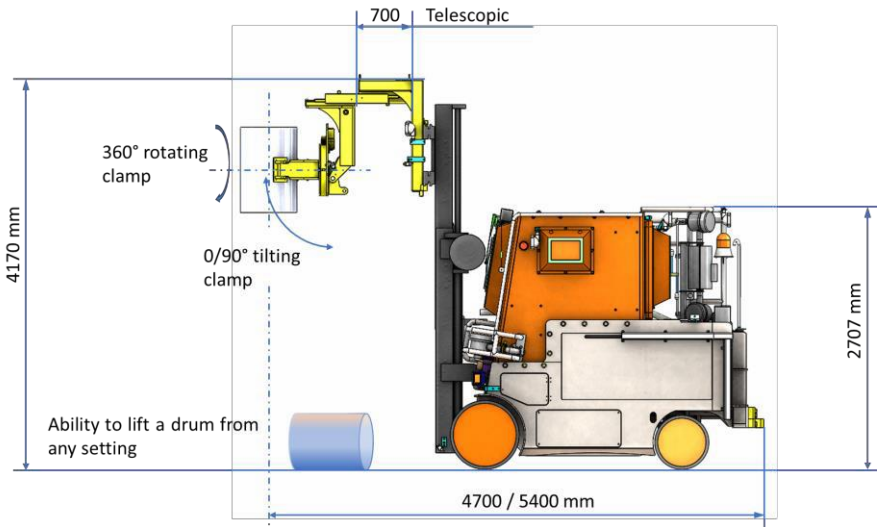
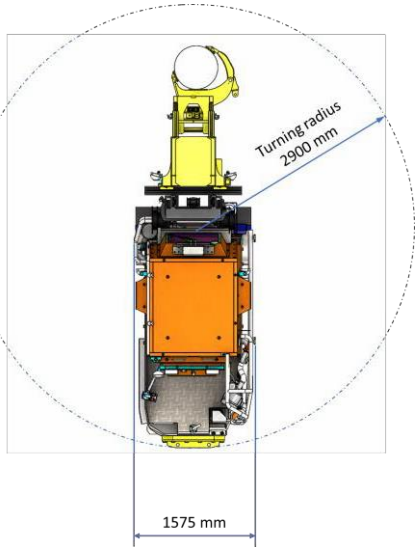
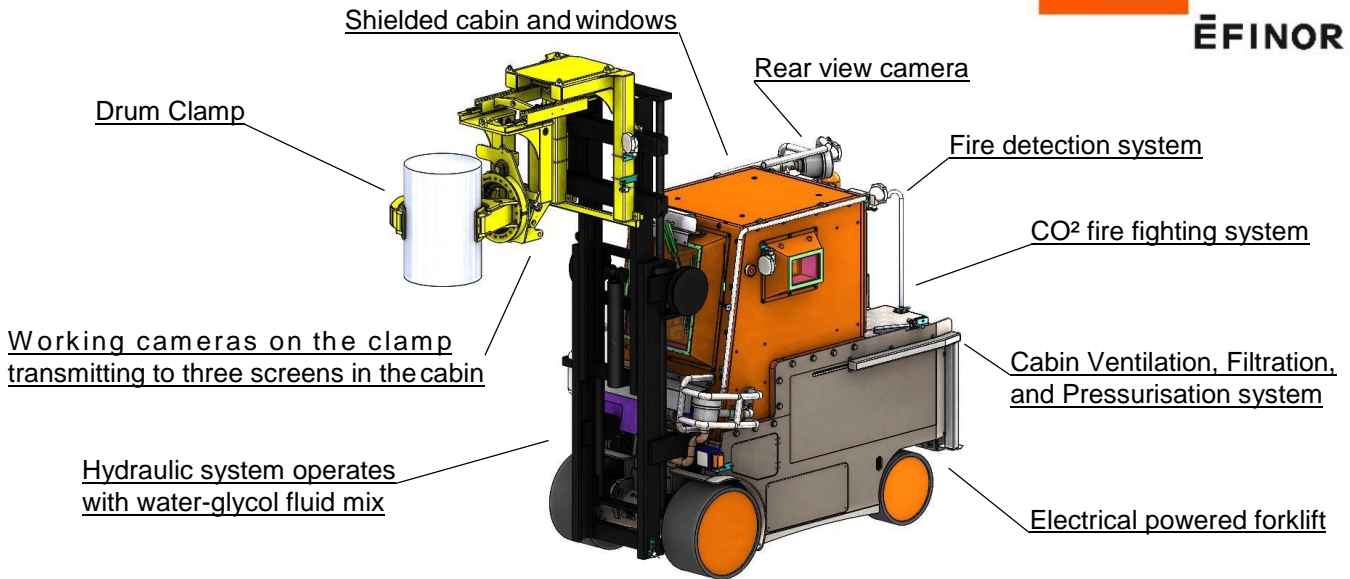
EFINOR

WWW.EFINOR.COM

Special equipment improving Nuclear Safety, Work Efficiency and Operator's Health & Safety



EFINOR



Certifications and qualified standards

- ISO 9001 – 2015
- ISO 14001 / ISO 45001
- EN 9100
- CEFRI
- Qualifoudre
- RCC-M, RCC-E, ASME



Clients & clients' qualifications

- CEA
- Famatome | QN100
- Orano | CAEAR D5
- EDF | UTO
- NNB - EDF Energy
- NAVAL GROUP
- BYLOR
- G.E.



EFINOR Limited a company of EFINOR Group

6th Floor Suite A, Whitefriars, Bristol, BS1 2NT – United Kingdom



+44 1173 324 599

contact.efinorlimited@efinor.com

WWW.EFINOR.COM