

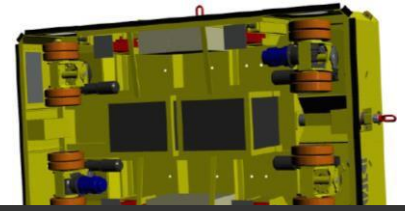


**EFINOR**



**Client :** CEA

**Project :** Design and manufacturing of 2 Auto-Guided Vehicles for nuclear fuel container shipping



## Global services for decommissioning and radioactive waste management

EFINOR provides multiple solutions to the nuclear decommissioning challenges through adaptive, modular and innovative approaches.

We can adapt off-the-shelf equipment to meet the requirements of our clients bespoke criteria.

We specialise in executing global projects. Involving diverse multidisciplinary teams to cover the entire lifecycle providing services from design, manufacturing and on-site erection to commissioning and maintenance.

With our extensive experience in the nuclear industry we are able to provide insightful solutions for complex dismantling projects and radioactive waste management.



Over 800 employees

Turnover  
£ 62 million (2018)

### ENGINEERING

#### Mechanical engineering, fabrication, vessels and piping services

- Radioactive effluents networks
- Boilers, vessels and welded equipment
- Seismic analysis, layout

#### Electrical engineering

- High voltage / low-voltage
- Instrumentation

### MANUFACTURING

### SUPPORT

#### Global services

EFINOR global services for dismantling and waste management include:

- Project Management and Control
- Engineering [feasibility, design, calculations]
- Manufacturing
- Erection
- Commissioning
- Maintenance

#### Case studies

**Glove boxes:** Design, manufacturing, erection of integrated glove box systems

**Equipment erection:** Waste retrieval solutions

**Auto-Guided Vehicles:** Standard and customised design and manufacturing of vehicles capable to handle up to several hundreds Tons, customisable and scalable depending on our clients requirements

**Nuclear waste volume reduction systems:** Design, manufacture, testing, commissioning, maintenance and technical assistance.

#### Innovative solutions

We design multi-disciplinary bespoke solutions joining our skills in project management, fabrication, mechanical and electrical engineering to provide quality and cost effective solutions to meet our clients specific requirements.

Our fit-for-purpose and innovative solutions help our clients resolving their decommissioning issues.



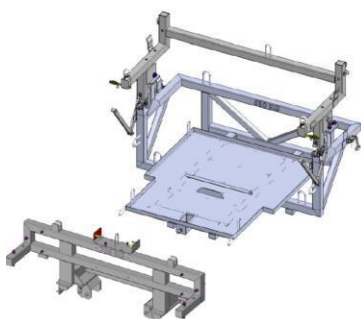
THINKING MATTER

WORKING MATTER

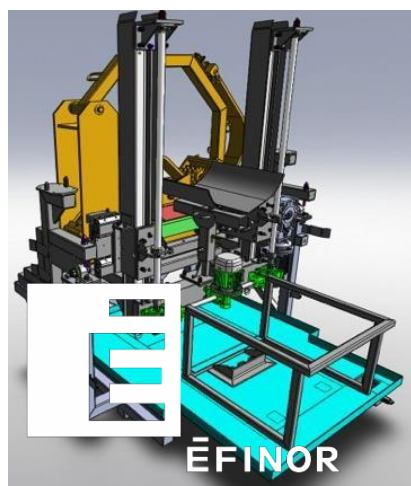
SUSTAINING MATTER

TRANSFORMING MATTER

EFINOR



**Client :** Orano  
**Project :** Design and manufacturing of a nuclear waste volume reduction saw

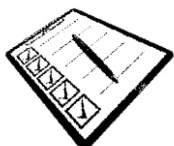


**We are dedicated to Quality and embrace a strong nuclear safety culture**

- ISO 9001 / ISO 14001 / ISO 45001
- CEFRI (French certification to perform work in ionising radiation environment)

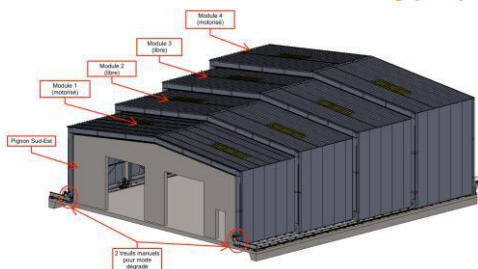


**Clients certifications**



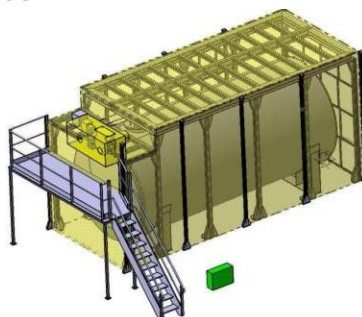
- ORANO | CAEAR D5
- FRAMATOME | QN100
- EDF | UTO

**Some references**



**Client :** CEA

**Project :** Construction of a 4 units telescopic warehouse for large components



**Client :** STMI

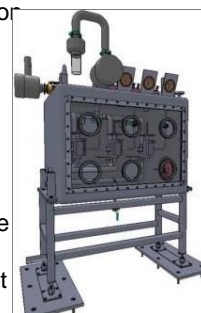
**Project :** Design and manufacturing of radioactive effluents storage station



**Client :** CEA  
**Project :** Waste shipping packages



**Client :** Orano  
**Project :** Design and manufacturing of glove boxes for radioactive effluents management



EFINOR Limited a company of EFINOR Group  
 6<sup>th</sup> Floor Suite A, Whitefriars, Bristol, BS1 2NT  
 +44 1173 021208  
 contact.efinorlimited@efinor.com



THINKING MATTER



WORKING MATTER



SUSTAINING MATTER

TRANSFORMING MATTER

EFINOR